



Rugged and Reliable Analog Hotplates and Stirrers for General Purpose Heating and Stirring

Dependable OHAUS Guardian™ 2000 Hotplates and Stirrers are ideal for education and other lab environments that require affordable, everyday fast heating and reliable stirring up to 15L. All three sizes offer simple knob control to easily adjust the heating and stirring functions. The durable housing includes a built-in support rod holder which accepts the optional support rod. Stirring models include PTFE coated stir bars.

Unique Features:

- Powerful stirring and fast heating at an economical price. Safely heat up to 500°C and stir up to 15L with easy to use knob control for simple and reliable everyday heating and stirring in the lab.
- Designed to last - the rugged metal housing has a spill resistant design for long life in the lab under harsh conditions. The smooth, chemical-resistant ceramic top plate is perfect for easy clean up.
- Safety is of utmost importance - the prominent hot top indicator light illuminates when the heater is above 40°C, keeping the end user safe during all heating applications.

GUARDIAN™ 2000 Hotplate Stirrers

Specifications

Model	e-G21ST04R	e-G21HP04C	e-G21HS04C
Function	Stirring	Heating	Heating and Stirring
Top Plate Size	10.2 x 10.2 cm		
Speed Range	200 - 1600 rpm	-	200 - 1600 rpm
Temperature Range	-	70 °C - 500 °C	
Control	Analog		
Capacity	15 L		
Top Plate Material	Resin	Ceramic	
Dimensions (H x L x W)	11.0 x 26.4 x 16.3 cm		
Net Weight	2.1 kg	1.8 kg	2.5 kg
Power	220V-240V ~1A 50/60Hz	220V-240V ~4A 50/60Hz	
Power Consumption	35W (220~240V)	505W (220~240V)	535W (220~240V)
Working Environment	5 °C – 40 °C, 80 % RH, non-condensing		

Model	e-G21ST07R	e-G21HP07C	e-G21HS07C
Function	Stirring	Heating	Heating and Stirring
Top Plate Size	17.8 x 17.8 cm		
Speed Range	200 - 1600 rpm	-	200 - 1600 rpm
Temperature Range	-	70 °C - 500 °C	
Control	Analog		
Capacity	15 L		
Top Plate Material	Resin	Ceramic	
Dimensions (H x L x W)	11.2 x 31.8 x 22.3 cm		
Net Weight	2.8 kg	3.2 kg	3.9 kg
Power	220V-240V ~1A 50/60Hz	220V-240V ~7A 50/60Hz	
Power Consumption	35W (220~240V)	1005W (220~240V)	1035W (220~240V)
Working Environment	5 °C – 40 °C, 80 % RH, non-condensing		

Model	e-G21STRDS	e-G21HPRDS	e-G21HSRDS
Function	Stirring	Heating	Heating and Stirring
Top Plate Size	13.5 cm diameter		
Speed Range	200 - 1600 rpm	-	200 - 1600 rpm
Temperature Range	-	50 °C - 380 °C	
Control	Analog		
Capacity	15 L		
Top Plate Material	Ceramic Coated Stainless Steel		
Dimensions (H x L x W)	10.1 x 26.4 x 16.3 cm		
Net Weight	2.3 kg	1.8 kg	2.5 kg
Power	220V-240V ~1A 50/60Hz	220V-240V ~4A 50/60Hz	
Power Consumption	35W (220~240V)	505W (220~240V)	535W (220~240V)
Working Environment	5 °C – 40 °C, 80 % RH, non-condensing		

GUARDIAN™ 2000 Hotplate Stirrers

Specifications & Accessories

GUARDIAN 2000										
Application Modes	Boiling Liquids, Basic Sample and Solution Preparation, Dissolving Buffers and Reagents, Preparing Media, Concentrating Samples									

Item No.	Description	e-G21ST04R	e-G21HP04C	e-G21HS04C	e-G21ST07R	e-G21HP07C	e-G21HS07C	e-G21STRDS	e-G21HPRDS	e-G21HSRDS
30500597	Vessel Clamp	●	●	●	●	●	●	●	●	●
30500598	Stir Bar Retriever	●		●	●		●	●		●
30400147	Spinbar 2.5 cm PTFE	●		●	●		●	●		●
30400148	Spinbar 3.8 cm PTFE	●		●	●		●	●		●
30400149	Spinbar 7 cm PTFE	●		●	●		●	●		●
30400150	Spinbar 10 cm with Pivot Ring PTFE	●		●	●		●	●		●
30692826	Holder Kit Thermometer e-G31		●	●		●	●		●	●
30726783*	Spinbar with a Pivot 3.8 cm PTFE	●		●	●		●	●		●

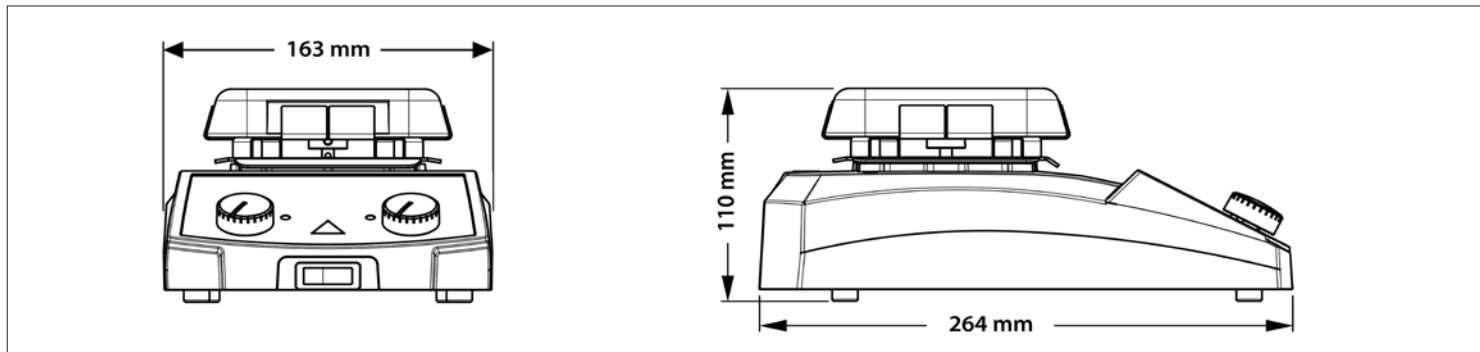
* 3076783 is a pack of 5 spinbars



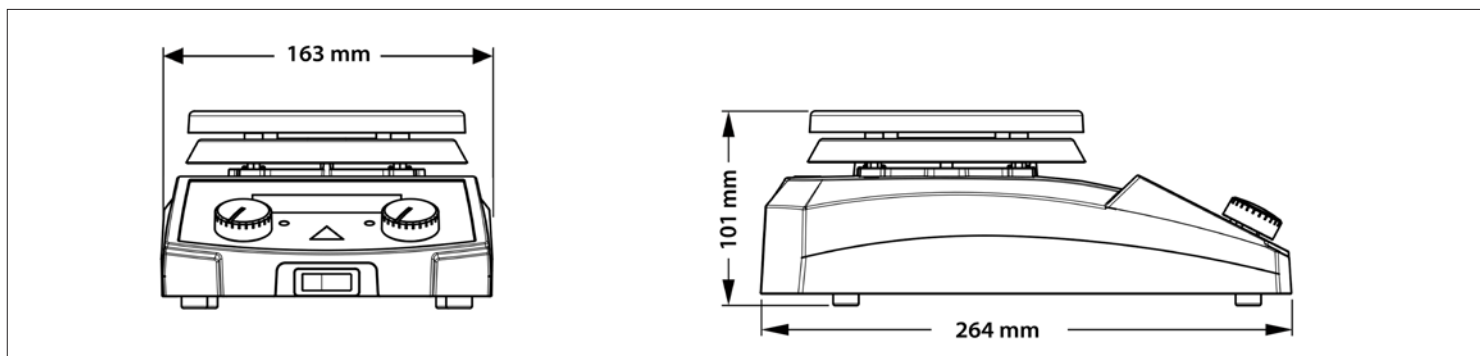
GUARDIAN™ 2000 Hotplate Stirrers

Outline Dimensions

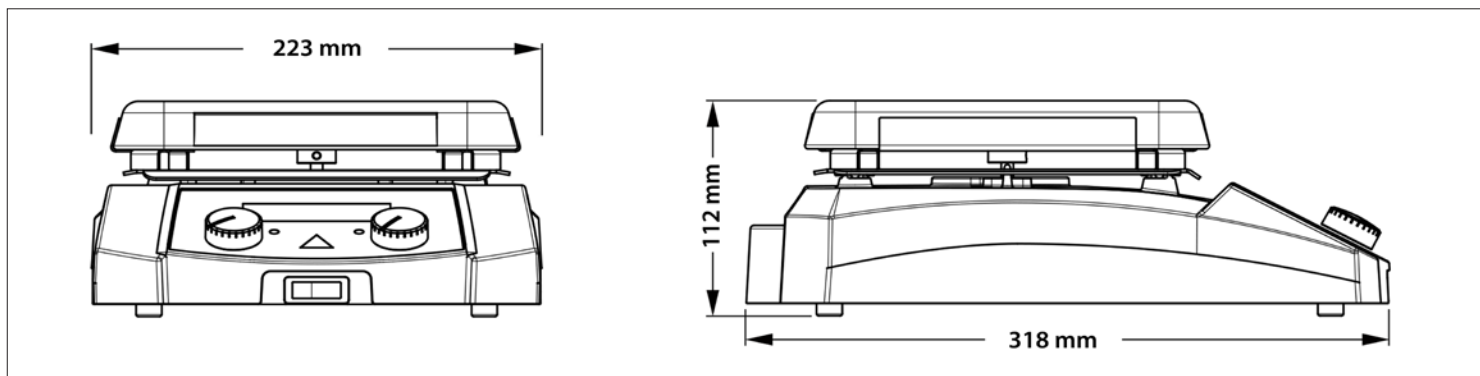
e-G21HS04C, e-G21HP04C, e-G21ST04R



e-G21HSRDS, e-G21HPRDS, e-G21STRDS



e-G21HS07C, e-G21HP07C, e-G21ST07R



Other Features and Equipment

Green indicator lights when unit is heating and stirring with simple control knobs for easy temperature and speed adjustments, one PTFE coated stir bar, ON/OFF switch for heater disconnect, built-in support rod holder.

Compliance

- **Product Safety:** IEC/EN 61010-1; IEC/EN 61010-2-010; IEC/EN 61010-2-051
- **Electromagnetic Compatibility:** IEC/EN 61326-1 Class A, Industrial environments
- **Compliance Marks:** CE; UKCA; TÜV SÜD; WEEE
- **Other:** IP21



WolfLabs

Pricing on any accessories shown can be found by keying the part number into the search box on our website.

The specifications listed in this brochure are subject to change by the manufacturer and therefore cannot be guaranteed to be correct. If there are aspects of the specification that must be guaranteed, please provide these to our sales team so that details can be confirmed.

www.wolflabs.co.uk

Tel : 01759 301142

Fax : 01759 301143

sales@wolflabs.co.uk

Please contact us if this literature doesn't answer all your questions.